

SR Ivocap®

The successful technique



*Heat curing injection system*

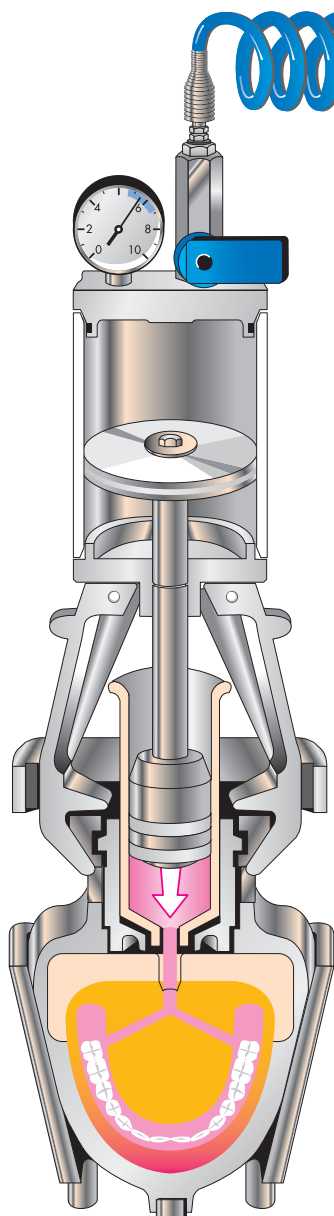


ivoclar  
vivadent®  
passion vision innovation

## The technique makes the difference

### AN INGENIOUS SYSTEM

The success of the SR Ivocap Injection System is based on its well thought-out technique. With conventional denture fabrication techniques, the chemical shrinkage of the poly-methyl methacrylate during polymerization results in inaccuracies of fit. The SR Ivocap Injection System features controlled heat/pressure polymerization, during which the exact amount of material keeps flowing into the flask to compensate acrylic shrinkage. The SR Ivocap injection procedure permits the fabrication of high-quality dentures that fit outstandingly and are comfortable to wear.

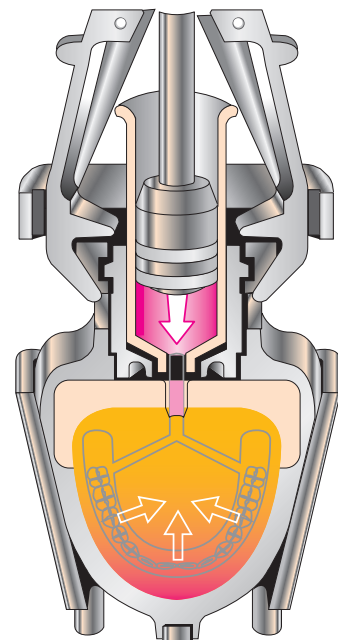


### INJECTION TECHNIQUE

The methyl methacrylate is pressure injected into the flask after mixing. The pressure (6 bar) remains unchanged during the entire polymerization process. In this way, denture base material is continuously pressed into the flask.

### ADVANTAGES AT A GLANCE

- ☑ Controlled polymerization with continuous compensation of the material shrinkage during the entire process.
- ☑ The special injection procedure reduces the risk of system-induced increases in vertical dimension.
- ☑ Heat/pressure polymerization provides good physical properties and a high degree of homogeneity.
- ☑ The homogeneous SR Ivocap High Impact denture base reduces the risk of possible fracture.
- ☑ No mixing or dosing errors due to predosed, encapsulated material.
- ☑ If used correctly, the predosed capsules prevent direct skin contact with monomers.
- ☑ Excellent handling



## Experience leads to success



**Thomas Shufran, General Manager  
USA**

«We have been using the SR Ivocap System for more than ten years and process over 40 dentures a week.»



**Ron Fichter, CDT, General Manager  
USA**

«Thanks to Ivoclar's SR Ivocap Denture System, we at Glidewell have been able to increase our denture production. Our doctors and their patients are thrilled with the precise fit and great esthetics of SR Ivocap.»



**Kevin Cave, Dental Technician  
Great Britain**

«The SR Ivocap injection moulding process has enabled us to offer patients dentures that are distinguished for their outstanding accuracy of fit.»



**Romy Meier, MDT, Laboratory Owner  
Switzerland**

«The reproducible fabrication technique has been successfully used in my laboratory over many years.»



**Lothar Fischer, MDT, Senior Lab Technician  
Austria**

«I'm completely satisfied with the processing procedure and the homogeneity of this material. That is why my lab uses no denture base material other than SR Ivocap.»



**Helmut Schleimer, MDT,  
Senior Lab Technician  
Austria**

«Our lab has been successfully using SR Ivocap for 30 years. This system provides advantages, such as accuracy of fit, homogeneity, etc.»



**Wolfgang Jäger, MDT,  
Senior Lab Technician  
Austria**

«For more than 20 years, my customers have confirmed the unique accuracy of fit of their dentures.»



**Claudio Natali, Dental Technician  
Italy**

«Having used SR Ivocap for more than 10 years, I'd say that this system has become an integrated part of my lab which I wouldn't want to do without.»



**Benvenuto Janke, Dental Technician  
Germany**

«I've been using the SR Ivocap System since 1976. To me, the SR Ivocap System represents the ultimate in denture prosthetics.»



**Carlos Cabrejos, Senior Lab Technician  
Belgium**

«Our technicians have been successfully using this system since the seventies. We were the first lab in Belgium to use the SR Ivocap System for the fabrication of dentures.»



**Nobuo Tsuji, Dental Technician  
Japan**

«Since 1987, we've produced 10,000 dentures using the SR Ivocap System. We have five Ivocap units, with which we fabricate approximately 1000 dentures a year.»



**Dr. Michel Pompignoli, Dentist  
France**

«The SR Ivocap System provides the basis for high-quality dentures: accuracy of fit, precision, durability, and aesthetics.»



**Bradley Moore, Dental Technician  
Great Britain**

«Successful reconstruction of the occlusal shape and function is of decisive importance for implant-supported restorations. With the SR Ivocap Injection System, we have been able to achieve exactly that for over 10 years.»



**Kwan-Woo Nam, Dental Technician  
South Korea**

«It was our luck that we learned about the SR Ivocap system 20 years ago. We have fabricated 30,000 dentures using this system, and it has never let us down in terms of esthetics, hygiene and accuracy of fit. The results are always predictable, as they are always very good.»

## The advantages of a good idea

The SR Ivocap Injection System has successfully held its ground for decades. Thousands of laboratories have decided in favour of this sophisticated technique and many more people worldwide enjoy the comfort of wearing dentures that fit precisely.

### ADVANTAGES FOR DENTAL TECHNICIANS

#### Bond

Pressure/heat polymerization enables both a high degree of polymerization and an excellent adhesive bond to resin teeth.



Right:  
The monomer of the heat-curing SR Ivocap High Impact diffuses into the base of the resin tooth, creating a strong adhesive bond. The red colouration renders the material's diffusion into the resin tooth visible.

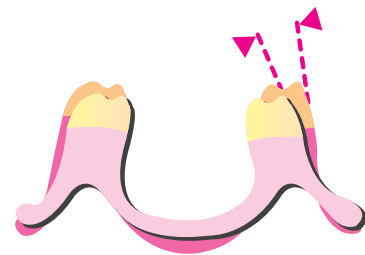


Left:  
Conventional cold-curing denture base material.

Source: Ivoclar Vivadent AG

#### Precision

Controlled polymerization prevents an increase in vertical dimension and spherical deformation. As a result, time-consuming adjustments of occlusion can virtually be eliminated.



Spherical deformation in conjunction with conventional polymerization according to Prof. Dr. K. H. Körber, Kiel (Germany)

#### Handling

The systematic SR Ivocap processing technique ensures efficient working procedures and high quality results. As the materials are supplied in predosed capsules and mechanically mixed in the Cap Vibrator, optimum material properties are achieved.



#### Polishability

The cross-linked, high-impact homopolymer is responsible for the excellent polishability of the SR Ivocap material.

#### Material

If stored according to the instructions, residual SR Ivocap material can be kept for up to five days. No material has to be discarded.

## ADVANTAGES FOR PATIENTS

### A good feeling

Optimum shrinkage compensation enables the fabrication of dentures that demonstrate exceptional accuracy of fit.

### Cleaning

The special polishing properties help reduce the build-up of plaque.

## ADVANTAGES FOR DENTISTS

### Efficiency

Since processing-related increases in vertical dimension do not occur with SR Ivoclar, wax patterns can be exactly reproduced. Destruction of occlusal morphology caused by time-consuming adjustments can virtually be eliminated.



# SR Ivocap®

## Intelligent components

### PRESSURE APPARATUS

Consistent pressure enables controlled injection-moulding of the denture base material. This technique ensures continuous shrinkage compensation.



### CAP VIBRATOR

Thorough mixing helps dissolve the polymer in the monomer quickly and cleanly.



### FLASK

The special thermal insulators ensure the compensation of polymerization shrinkage.



### POLYMERIZATION BATH\*

The excellent material properties are the result of heat polymerization in the polymerization bath.



### CLAMPING FRAME

The high clamping forces (3 tons) exerted on the flask prevent increases in vertical dimension.



#### SR IVOCAP ACCESSORIES

- Capsule plunger
- Investment aid
- Funnel
- Timer

#### RECOMMENDED ACCESSORIES

- Polymerization bath  
(\*e.g. IVO-2, BDT GmbH, Germany)

#### TECHNICAL DATA

##### Weight

Flask: 1.3 kg  
Clamping frame: 2.3 kg  
Pressure apparatus: 2.0 kg  
Total: 5.6 kg

Max. operating pressure  
6.5 bar

# SR Ivocap®

## A component of the BPS® System

### BPS® (BIOFUNCTIONAL PROSTHETIC SYSTEM)



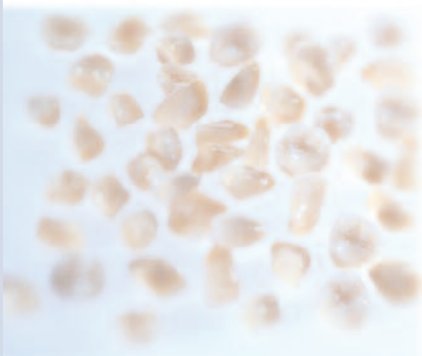
With its carefully coordinated components, the BPS System provides the members of the dental team with the means to fabricate high-quality complete dentures for their patients. For that purpose, the special set-up concept with model-

related positioning instructions are equally important as the logical occlusal concept with Ivoclar Vivadent teeth and the SR Ivocap pressure/heat injection procedure. The corresponding compulsory education courses ensure that the system produces successful results in dental offices and laboratories. Certified BPS Laboratories are provided with valuable marketing support.



### BPS® CORE PRODUCTS

#### 1 Ivoclar Vivadent teeth



Matching the wide variety of shapes observed in natural teeth is the challenge that the wide range of tooth moulds and tooth lines from Ivoclar Vivadent must meet. With their characteristic features and complex layering, they offer a wide selection of aesthetic effects similar to those of natural teeth.

#### 2 Ivoclar Vivadent denture base materials



The Ivoclar Vivadent denture base materials are available in a particularly wide shade range. High accuracy of fit and ease of handling facilitate the work of dental technicians.

#### 3 Stratos®



The more accurately a patient's data is reproduced, the more functional is the restoration. The Stratos facilitates this task.

## INDICATIONS

### SR Ivocap High Impact

- Complete dentures
- Partial dentures
- Relines

### SR Ivocap clear

- Orthodontic appliances
- Palatal plates
- Bite guard splints

### SR Ivocap Elastomer

- Positioners
- Mouthguards for sports
- Bruxism splints
- Elastic splints

## DELIVERY FORMS

### SR Ivocap Kits

- 10 or 50 capsules, each containing 20 g of polymer and 30 ml of monomer

### SR Ivocap Elastomer Kit

- 10 capsules, each containing 20 g of polymer and 17.5 ml of monomer

### SR Ivocap Equipment

- Pressure apparatus
- Clamping frame
- Flasks
- CAP Vibrator



SR Ivocap constitutes an essential component of BPS, the trendsetting prosthetic system that offers laboratories the possibility of running individualized marketing activities and obtaining professional support from BPS Technical Consultants.

Are you interested in the fascinating world of BPS? To obtain further information on BPS, please contact Ivoclar Vivadent or visit our website at: [www.ivoclarvivadent.com](http://www.ivoclarvivadent.com)



This product forms part of our Implant Esthetics field of competence. All the products of this field are optimally coordinated with each other.

## Colours

- Pink
- US-P
- Elastomer Clear
- Pink-V
- S
- US-L
- Clear
- Preference
- Pink-V Implant
- Preference Implant